



BKK COOLING TOWER

CLOSE TYPE

MODEL : BKC-C-SERIES



Member



ISO 9001 : 2008

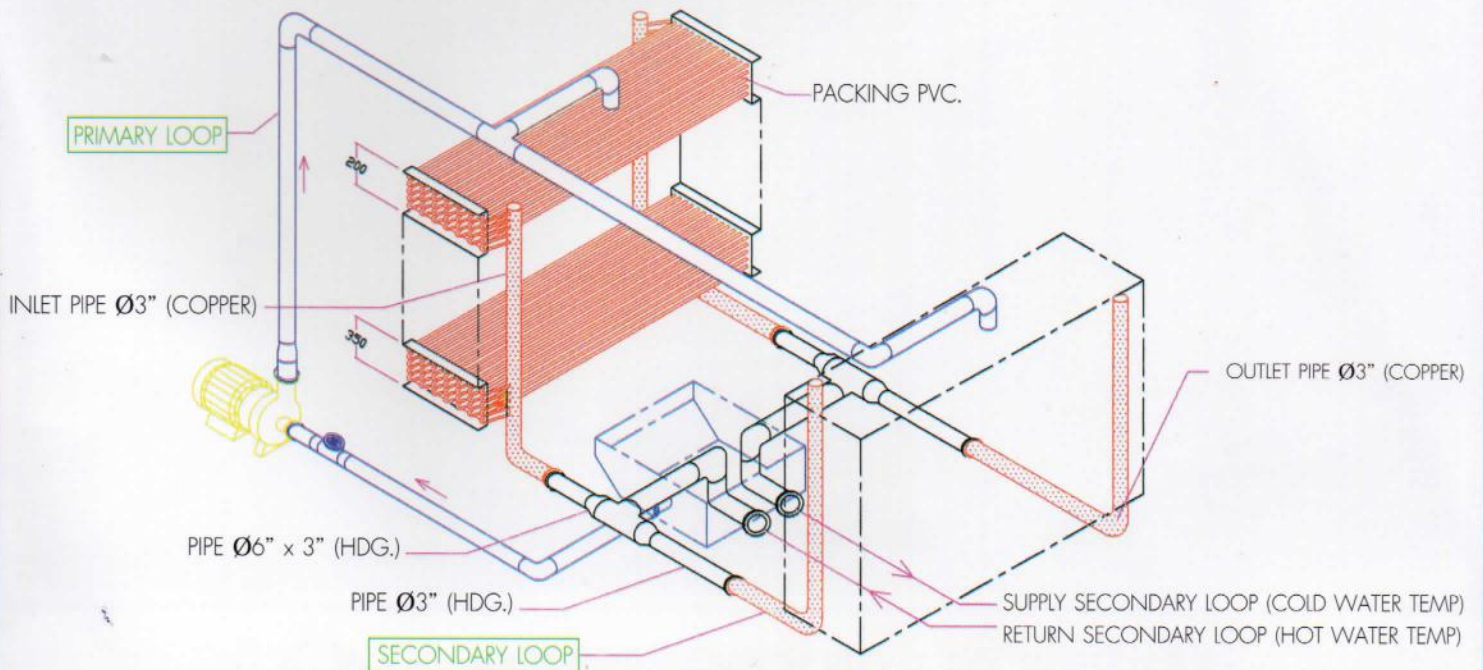
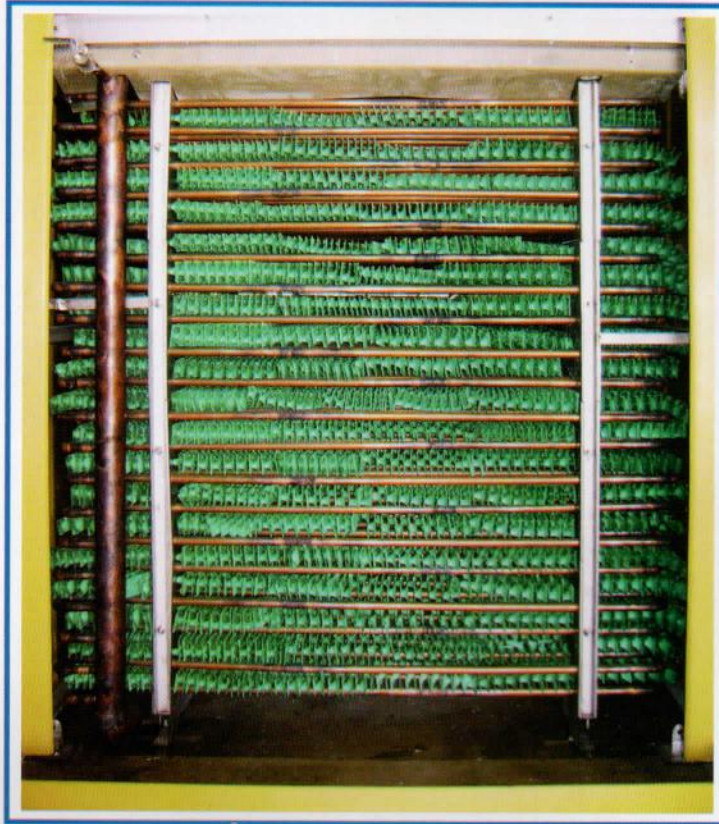


<http://www.bkkcooling.co.th>



ENCLOSE

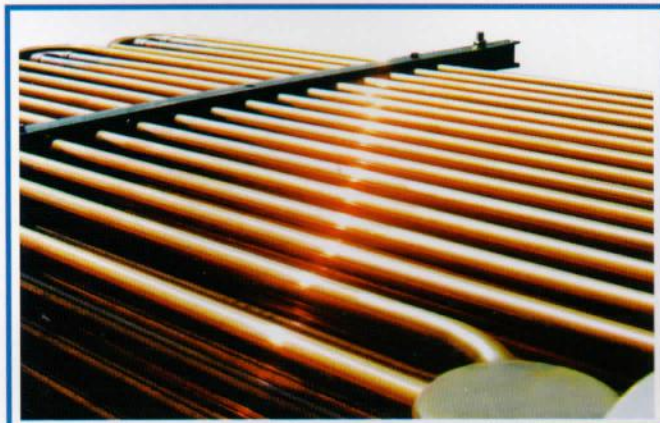
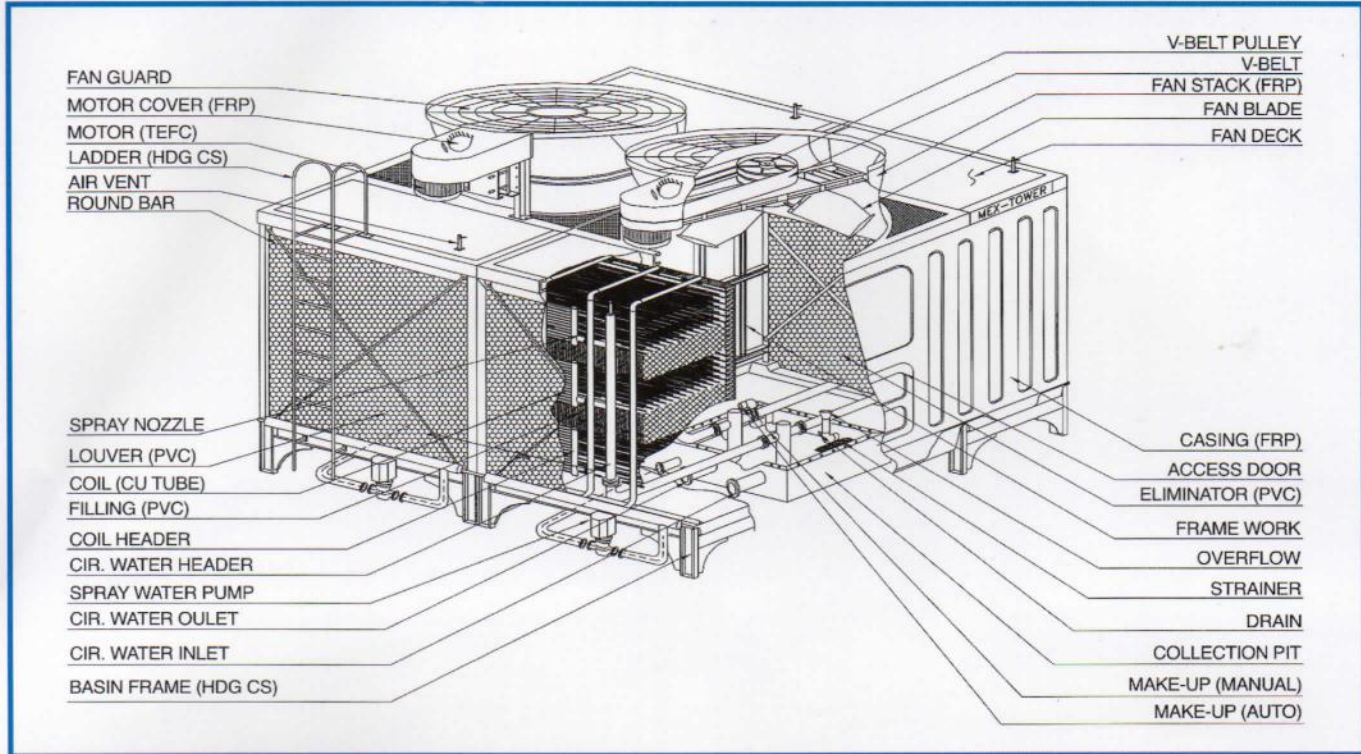
CROSS FLOW / CLOSED-CIRCUIT PACKAGE TOWER





BKC-C-TOWER

CROSS FLOW / CLOSED-CIRCUIT PACKAGE TOWER



WATER DISTRIBUTION THROUGH COPPER COIL



CLOSED CIRCUIT PACKAGED / FRP / Sony Dvice Technology (Thailand) Proj.

FEATURES AND ADVANTAGES FOR BKC - C - TOWER

1. CONTAMINATION FREE

Cooling liquid (Mostly non freezing liquid) circulates in closed loop without contracting outside air and are kept in clean. Accordingly it prevents water from contamination.

2. ANTI CORROSION

Either copper or 304 Stainless steel is used for coil material to prevent corrosion.

3. LOW OPERATING COST

Comparatively less water consumption and less time significantly reduce operationing expense.

4. HIGH DUTY FAN

High-efficiency hollow aluminum fan blades are equipped as standard.

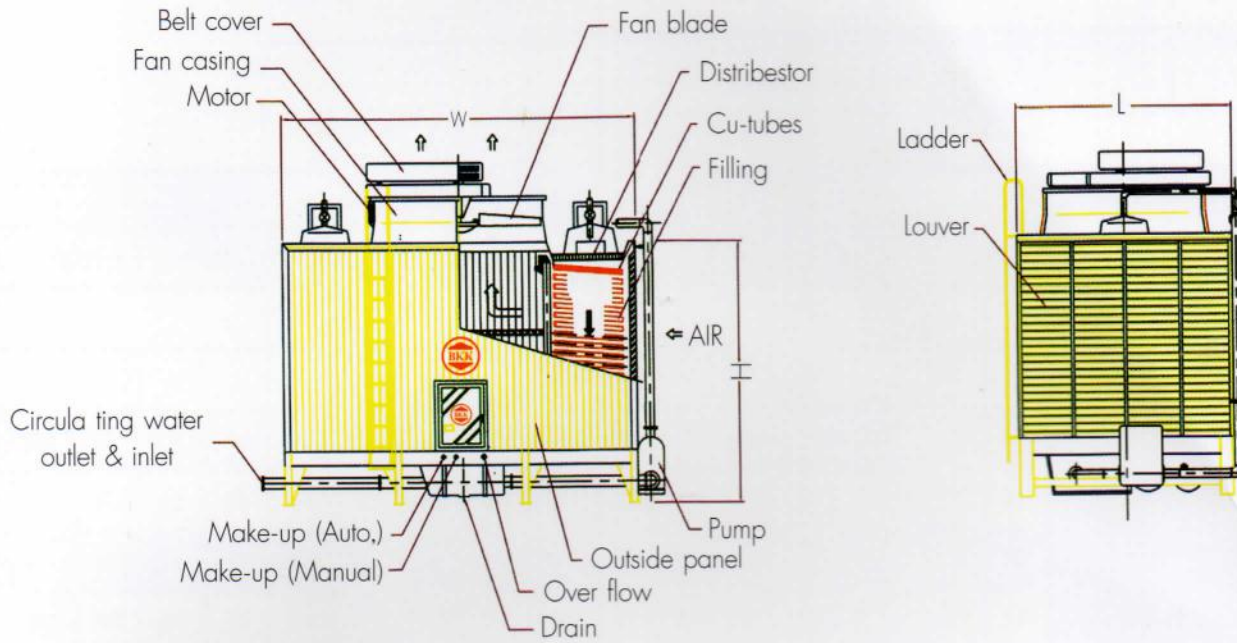
5. EASY ACCESS TO MAINTENANCE

Removal of the louvers provides access to all sides of the cold water basin for inspection, cleaning and maintenance.

6. WARRANTY

BKK Cooling Towers carry a 5-Year Warranty on the entire FRP_Cooling and basin and a 3-Year Warranty on other cooling tower components.

(Please refer to BKK Cooling Tower Maintenance Manual)



*** BKC - C Specifications Table**

Design conditions : water volume 13 l/min. RT temperature 37°c ----> 32°c (W.B. 27°c) 1 Rt = 3900 kcal/s

| Type BKC - C | WATER VOLUME (l/min) | DIMENSION (mm) | | | AXIAL FLOW FAN | | | | WEIGHT (Kg.) | | COOLING CAPACITY (RT) |
|-----------------|----------------------------|----------------|------|------|---------------------|-------|----|-----|--------------|-----------|-----------------------------|
| | | L | W | H | DIMENSION (φ mm) | MOTOR | | | DRY | OPERATION | |
| | | | | | | HP | P | QTY | | | |
| 40 | 520 | 1260 | 1800 | 2500 | 960 | 2 | 8 | 1 | 950 | 1800 | 40 |
| 50 | 650 | 1470 | 2700 | 3100 | 1160 | 2 | 8 | 1 | 1050 | 1950 | 50 |
| 60 | 780 | 1470 | 3000 | 3100 | 1160 | 2 | 8 | 1 | 1270 | 2280 | 60 |
| 70 | 910 | 1870 | 3625 | 3100 | 1160 | 3 | 8 | 1 | 1370 | 2380 | 70 |
| 80 | 1040 | 2120 | 4025 | 3000 | 1500 | 3 | 8 | 1 | 1490 | 2450 | 80 |
| 100 | 1300 | 2125 | 4100 | 3250 | 1500 | 5 | 10 | 1 | 1650 | 2730 | 100 |
| 125 | 1625 | 2125 | 4100 | 3650 | 1700 | 5 | 10 | 1 | 2160 | 3360 | 125 |
| 150 | 1950 | 3670 | 4025 | 3000 | 1500 | 3 | 8 | 2 | 2950 | 4600 | 150 |
| 175 | 2275 | 4170 | 4275 | 3500 | 1700 | 3 | 8 | 2 | 3100 | 4810 | 175 |
| 200 | 2600 | 4125 | 4100 | 3250 | 1500 | 5 | 10 | 2 | 3430 | 5430 | 200 |
| 250 | 3250 | 4125 | 4100 | 3650 | 1700 | 5 | 10 | 2 | 3940 | 6220 | 250 |
| 300 | 3900 | 6175 | 4100 | 3250 | 1500 | 5 | 10 | 3 | 4950 | 7880 | 300 |

* RELATIVE TO INQUIRIES (COMMON FOR ENCLOSED TYPES OF COOLING TOWERS)

When inquiring about, or ordering, BKK cooling towers, please specify the following item :

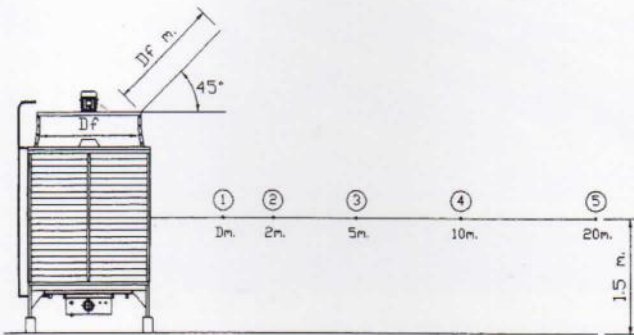
1. Circulating water volume (liters/min or T/H)
2. Tower inlet water temperature (°c)
3. Tower outlet water temperature (°c)
4. Wet bulb temperature (°c), or dry bulb temperature (°c) and relative humidity (%)
5. Constraining area or height of installation, and other factors of the installing location
6. Type of tower required
7. Power supply for fan : (a) voltage, (b) frequency, (c) phase number
8. Name of the locality of cooling tower erection
9. Any specifications relative to noise
10. Any other items of preference.



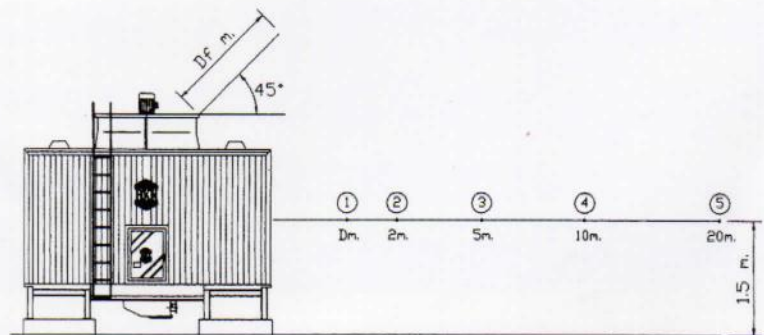
NOISE VALUE

| MEASURING POINT | MEASURING DISTANCE | MODEL BKC-C (RT) | | | | | | | | | | | | | | | | | |
|-----------------|--------------------|----------------------|----|-----|----|-----|----|-----|----|-----|----|-----|----|-----|----|-----|----|-----|----|
| | | 80 | | 100 | | 125 | | 150 | | 175 | | 200 | | 225 | | 250 | | 300 | |
| | | MESASURING DIRECTION | | | | | | | | | | | | | | | | | |
| | | L | W | L | W | L | W | L | W | L | W | L | W | L | W | L | W | L | W |
| 1 | Dm. | 53 | 60 | 54 | 61 | 59 | 61 | 58 | 64 | 61 | 68 | 59 | 66 | 57 | 63 | 59 | 65 | 60 | 65 |
| 2 | 2m. | 55 | 59 | 56 | 60 | 61 | 61 | 60 | 64 | 63 | 68 | 61 | 66 | 60 | 64 | 62 | 66 | 62 | 66 |
| 3 | 5m. | 51 | 56 | 52 | 57 | 57 | 57 | 56 | 60 | 59 | 64 | 58 | 63 | 56 | 61 | 58 | 63 | 58 | 63 |
| 4 | 10m. | 46 | 52 | 47 | 53 | 51 | 53 | 50 | 56 | 54 | 60 | 52 | 58 | 51 | 56 | 53 | 58 | 52 | 58 |
| 5 | 20m. | 40 | 46 | 41 | 47 | 46 | 47 | 45 | 51 | 48 | 54 | 47 | 53 | 45 | 51 | 47 | 53 | 47 | 53 |
| 6 | 45° Dfm | 64 | 64 | 65 | 65 | 70 | 65 | 69 | 69 | 72 | 72 | 71 | 71 | 69 | 69 | 71 | 71 | 69 | 71 |

MEASURING POINT



Measuring direction (L)



Measuring direction (W)

1. Measuring point 1 is horizontal distance "D" equal to the width or length. away from the louvers or casing and 1.5 m Above the floor level. If "D" is less then 1.5 m., take the distance of 1.5 m.
2. Measuring point 6 is 45° upper distance "Df" equal to the fan diameter, away from the top edge of the fan stack. If "Df" is less then 1.5 m. take the distance of 1.5 m.
3. Measured noise levels should not be affected by surroundings such as echo.
4. Noise levels should be measured based on A scale.

PRODUCTS

TRACK RECORDS



Bangkok Komatsu Industries Project
(BKC-C-100RT x 1 Set)



K.E.I. Engineering (Site I.C.P.) Project
(BKC-C-100RT x 2 Sets)



ARC Engineering (Thailand) Project
(BKC-C-40 RT x 4 Cells 3 Sets)



Sony Device Technology (Thailand) Project
(BKC-C-125RT x 4 Cells)



B.K.K. COOLING AND ENGINEERING CO., LTD. (THAILAND)

Head office :

5/69 Moo 1 T.Bangkaew A.Bangplee Samutprakarn 10540
Tel. (+66 2) 383 3636-7, 383 3601 Fax. (+66 2) 383 3356, 753 6966
E-mail : support@bkkcooling.co.th

Factory : Thailand

47/1 Moo 6 T.Mhon-Nang A.Panusnikom Chonburi 20140
Tel. (+66 38) 293 542-3 Fax. (+66 38) 293 379
E-mail : factory@bkkcooling.co.th

B.K.K. VINA COOLING TOWER CO.,LTD. (VIETNAM)

Vietnam Branch :

43/8 Cong Hoa, Ward 4, Tan Binh District, HCMC, Vietnam
Tel. (+84 8) 6296 7126, 6296 7127 Fax. (+84 8) 6296 7029
E-mail : sales_vn@bkkcooling.co.th

Factory : Vietnam

268 Toky, Tam Dong, Hoc Mon, TP.HCM, Vietnam
Tel & Fax : (+84 8) 3710 6599, 3710 6609
E-mail : factory_vn@bkkcooling.co.th